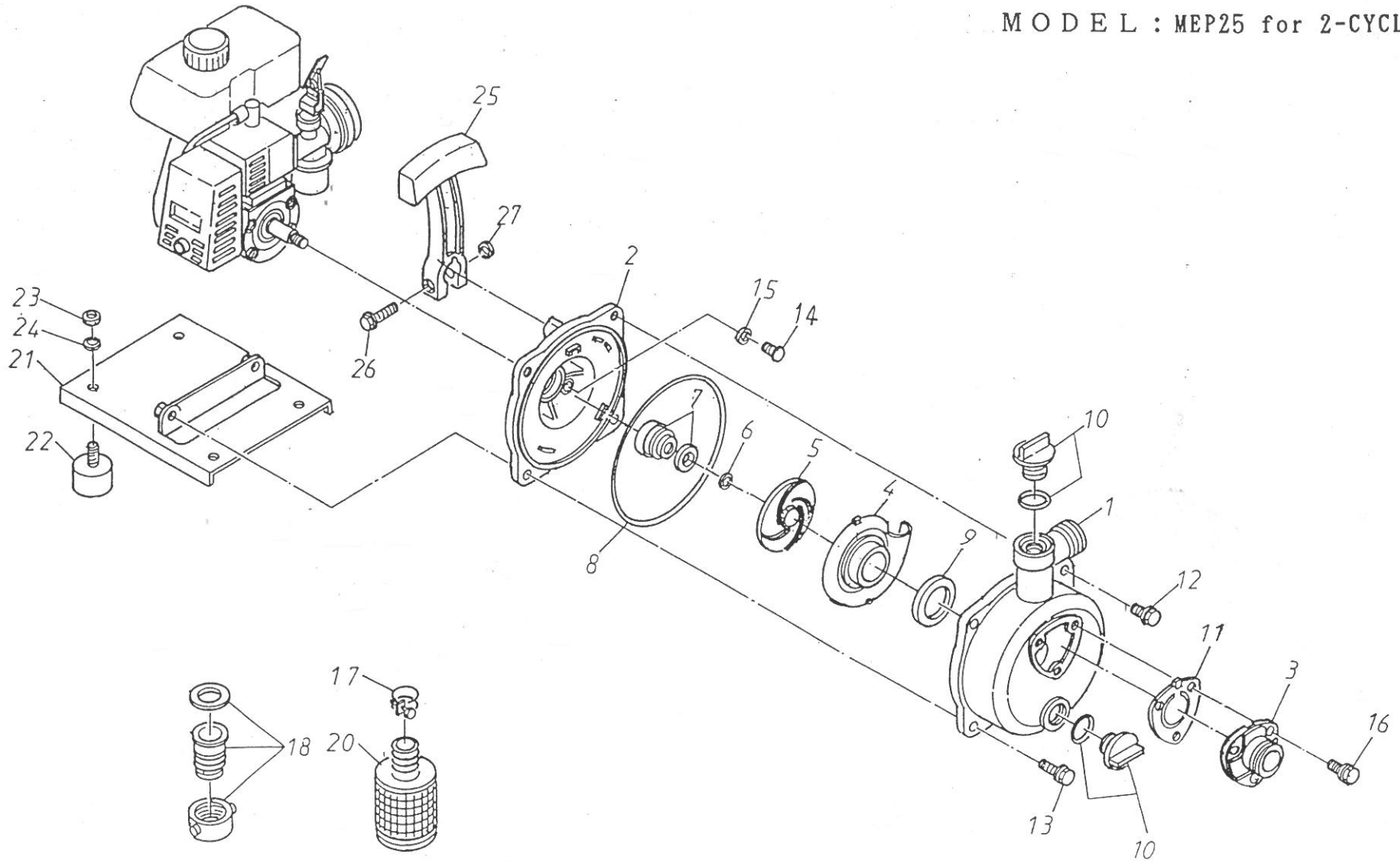


EXPLODED VIEW

MODEL : MEP25 for 2-CYCLE



MEP-25

REF.	CODE NO.	NAME	QTY
1	51046-104	CASING	1
2	51047-107	CASING COVER	1
3	51049-105	SUCTION COVER	1
4	11037-108	VOLUTE CASING	1
5	1124-000030	IMPELLER	1
6	085283-1208	ADJUST LINER	0-4
7	080911-1908	MECHANICAL SEAL	1
8	048131-1400	O-RING, CASING	1
9	61019-169	PACKING, V. CASING	1
10	31044-116	F. DRAIN CAP W/RING	2
11	36018-104	CHECK VALVE	1
12	018115-0825	FLANGE BOLT	2
13	018115-0835	FLANGE BOLT	2
14	010505-0525	FLANGE BOLT	4
15	68042-101	SEAL WASHER	4
16	018115-0616	FLANGE BOLT	3
7	093225-1000	HOSE BAND	3
18	074111-9025	HOSE COUPLING	2
20	074230-1025	STRAINER	1
21	1128-214010	BASE	1
22	072332-2030	CUSHION RUBBER	4
23	020545-0060	NUT	4
24	045125-0060	S. WASHER	4
25	51027-159	HANDLE	1
26	018115-0640	BOLT	1
27	020445-0060	U-NUT	1